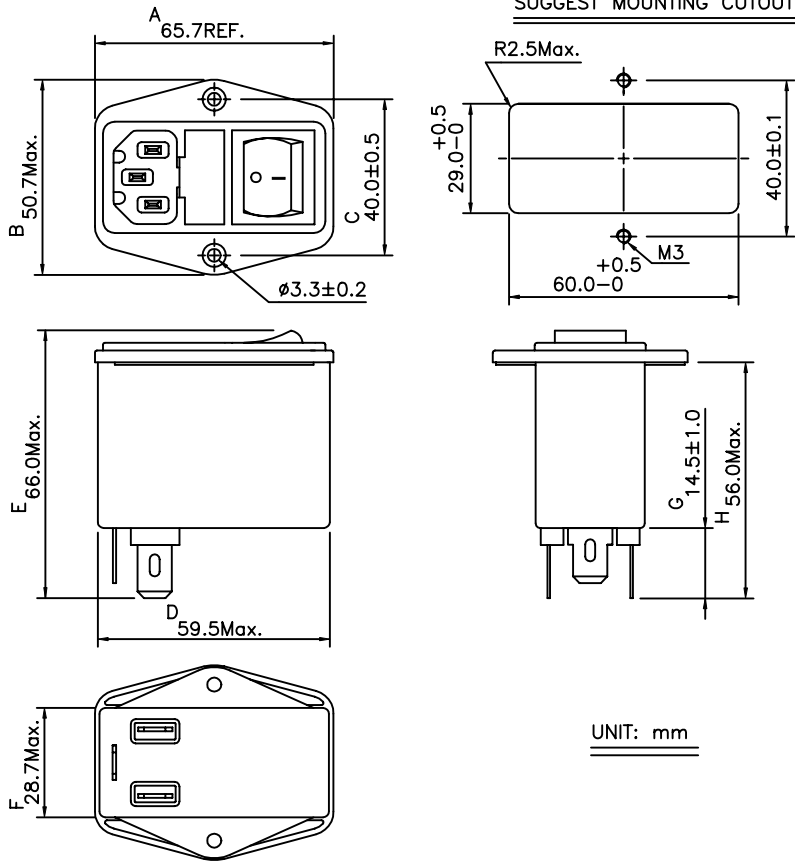
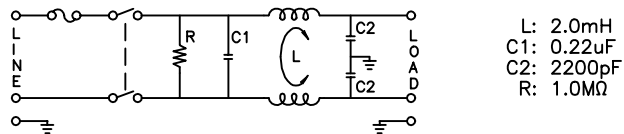


Revision			
Rev.	Description	Date	Approved

1. PHYSICAL DIMENSIONS:



2. SCHEMATIC:



1. ELECTRICAL CHARACTERISTICS:

- 1-1. VOLTAGE RATING 115/250VAC
- 1-2. CURRENT RATING
 - A. AT 115VAC 3 A RMS Max.
 - B. AT 250VAC 3 A RMS Max.
- 1-3. OPERATING FREQUENCY..... 50/60 Hz
- 1-4. LEAKAGE CURRENT: EACH LINE TO GROUND
 - A. @115VAC 60Hz 0.20 mA Max.
 - B. @250VAC 50Hz 0.40 mA Max.
- 1-5. HIPOT RATING (FOR ONE MINUTE)
 - A. LINE TO GROUND 2250VDC
 - B. LINE TO LINE 1450VDC
- 1-6. TEMPERATURE RANGE: -25 TO +85 DEGREE C
- 1-7. MINIMUM INSERTION LOSS IN dB: (AT 50 OHM SYSTEM)

FREQ. MHz	.01	.05	.10	.15	.50	1.0	5.0	10	30
COM. MODE dB	2	10	12	15	30	35	35	40	25
DIF. MODE dB	/	2	5	8	15	20	30	35	35

1-8. SAFETY

Dim range (mm)		Tolerance +/- (mm)		Qualtek Electronics Corp. PPC DIVISION		
Part Number: 880-03/005				Description:		
EMI FILTER						
0-1	0.15	Drawn/Date	Checked/Date	Approved/Date		
1-6	0.20	B.ZHANG	BAC 09-12-01	JJH/09-12-01		
6-18	0.30	09-12-01				
18-50	0.50					
50-120	0.70					
120-250	0.90					
250-500	1.20					